

JOHNNY EXPRESS® HORN AND LIGHT KIT

CATALOG NO. 6131

PLEASE READ THESE INSTRUCTIONS CAREFULLY!

The JOHNNY EXPRESS*HORN & LIGHT KIT has been made to fit into any JOHNNY EXPRESS*tractor. It is installed by just following these easy steps:

- 1 **LIGHTS**
Turn JOHNNY EXPRESS*Tractor over and push in the two clips holding the bulbs, as shown in illustration. Be sure to position the clips so that the bulbs will be directly behind the openings in the bumper and bulbs are screwed down firmly in their sockets.
- 2 **HORN SWITCH**
With a screwdriver, push in horn switch as shown in illustration. Using pointed end screw, fasten horn switch to body. DO NOT OVERTIGHTEN SCREW.
- 3 **BATTERY BOX**
Screw down battery box and then press the battery box clip over rib, as shown in illustration. Insert one "D" size battery in any direction and then hook on the battery box cover, holding it down with a screw. DO NOT OVERTIGHTEN THE SCREWS.
- 4 **HORN**
Before installing the horn, push the steering wheel down. If horn does not sound, turn the adjusting screw clockwise approximately one-quarter turn. Horn should now sound; if not, adjust screw further. After adjusting horn to desired tone, screw down the horn bracket as shown in illustration.
- 5 **LIGHT LENSES**
Snap in the two light lenses as shown in illustration.

OPERATION

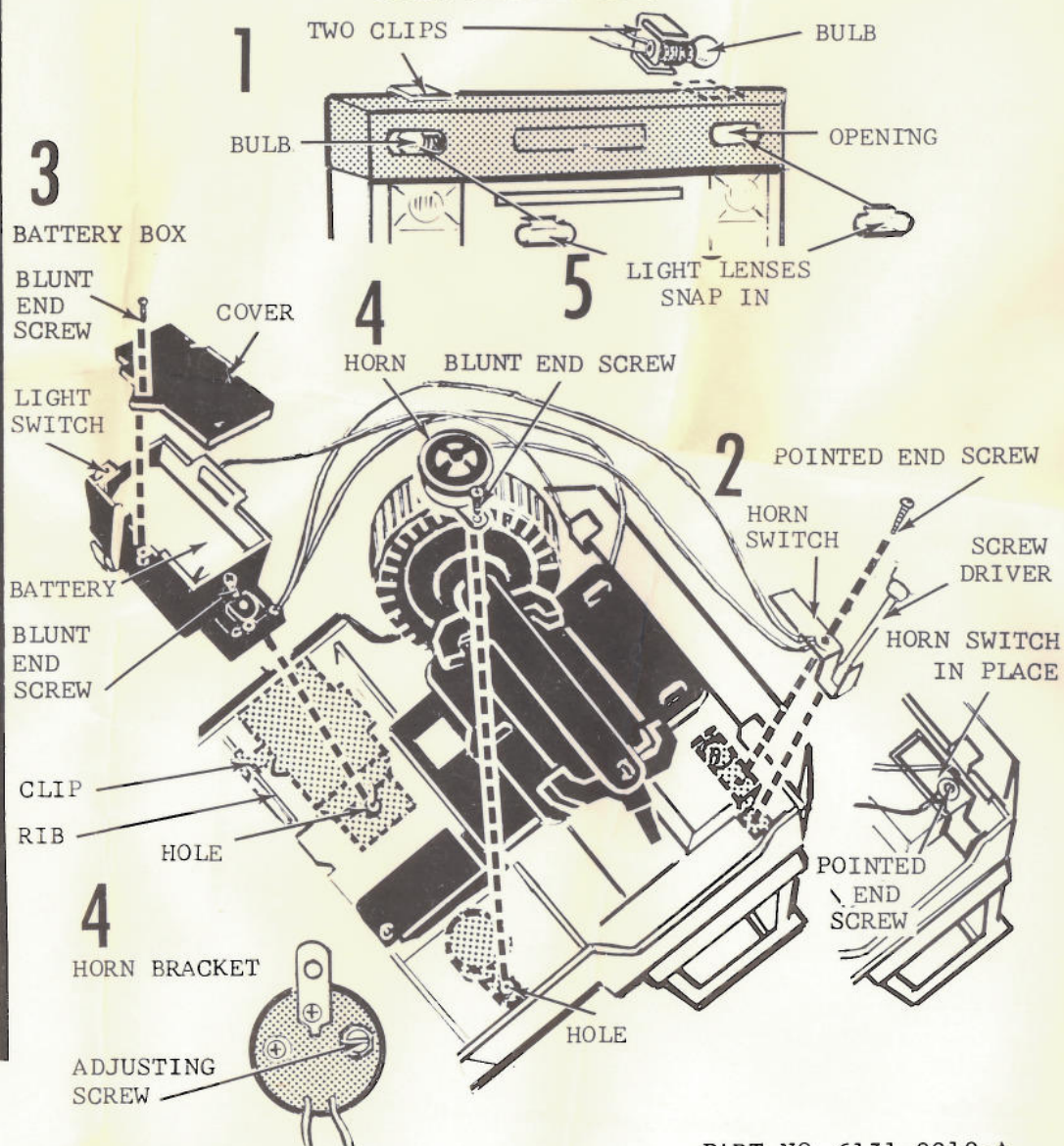
To sound Horn - Press down on steering wheel inside the tractor.

To turn on Lights - The light switch cover is mounted on the side of the battery box. To turn on lights, push the switch lever towards center of cab. It is not necessary for light switch to be in "ON" position to sound horn.

Bulb Replacement - The light bulbs used will give a very long service life, but if they should burn out or be broken, they can be replaced with a standard flashlight bulb (G.E. No. 123 or equal).

SEPARATE PARTS

QUANTITY	DESCRIPTION
1	PREWIRED ASSEMBLY CONSISTING OF A BATTERY BOX, 1 HORN AND 2 LIGHTS
2	LIGHT LENSES
1	BATTERY COVER
3	SCREWS (BLUNT END)
1	SCREW (POINTED END)



© DE LUXE READING CORPORATION, 1966 ELIZABETH, NEW JERSEY

PRINTED IN U.S.A.

PART NO. 6131-0010-A