

TROOP CARRIER

ASSEMBLY

1 Gun Turret

Gun Turret mounts into large hole on top of forward armored section. Line up two projections on turret base with slots on outside of hole and drop in. Gun can now be rotated 360°.

2 Shells

The six shells provided may be stored on pins located behind the gun; push open end of shells over pins.

3 Missile Rack

Mount the two missile racks on side where shown; push hooks into holes provided so that they snap into place.

4 Missiles

Two missiles store in cradle on gun; the other six mount into the missile racks - push stem into rack.

5 Radio

Push the hooks on the radio into slots provided so that it snaps into place.

6 Antenna (2)

Push the pin at base of antenna into holes provided in locations shown.

7 Canvas Canopy

Push the four forward plastic hoops down through square holes on side of the Troop Carrier so that they snap into holes at the bottom. Thread the remaining plastic hoop through seam at rear of canvas and the wire hoop through seam at front. Push plastic hoop into rear holes on Carrier and push the wire hoop down, as shown, over lip at rear of armored section until it snaps into holes provided.

Push the wire hoop down, as shown, over lip at rear of armored section; bent ends on hoop fit into holes provided in the lip. Then push the remaining plastic hoop into the rear holes on the Carrier.

To roll up the canopy easily, roll up on a pencil, tie it up and then remove the pencil.

8 Labels

Carefully peel off labels and place in locations shown.

9 Mounting on Basic Trailer

Remove "L" sides and front stop panel from trailer. Pull back SURE-LOCK (license plate bracket) on trailer, slip hooks on front of Troop Carrier over the front of the basic trailer as shown, lower the rear of the Troop Carrier so that the two projections at rear fall into the two holes in trailer bed, then push SURE-LOCK back in.

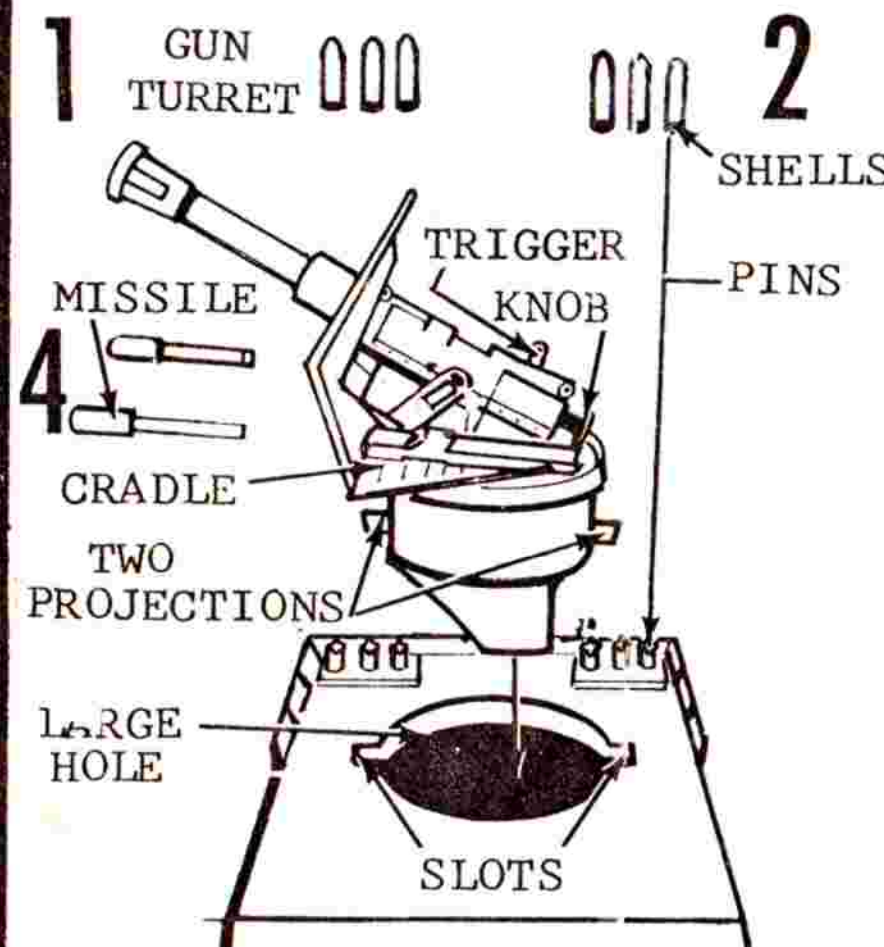
GUN OPERATION

Either shells or missiles fire from the gun. Drop projectile down muzzle of gun, cock by pulling knob at rear of gun all the way back until it clicks in place, then fire by pulling back trigger on top of gun.

PLEASE READ THESE INSTRUCTIONS CAREFULLY!

EXAMINE CONTENTS CAREFULLY FOR ALL PARTS BEFORE ASSEMBLY

SEPARATE PARTS		
PART NO.	PART NAME	QUANTITY
1	GUN TURRET ASSEMBLY	1
2	SHELLS	6
3	MISSILE RACK	2
4	MISSILES	8
5	RADIO	1
6	ANTENNA	2
7	CANVAS CANOPY	1
8	WIRE HOOP	1
9	PLASTIC HOOP	5
10	LABEL SHEET	1



FRONT OF TROOP CARRIER

